

PUZZLE-5030

1U Rackmount Network Appliance with Intel® Xeon® E Processor (Codename: Rocket Lake) and the Intel® C256 chipset



Features

- » Intel® Xeon® E Processor (Codename: Rocket Lake) and the Intel® C256 chipset
- » 4 x DDR4 3200MHz ECC/non-ECC UDIMM, up to 128G
- » 8 x 2.5 Gbps RJ-45 LAN ports & 2 pairs LAN bypass
- » 2 x Standard PCIe slot (1 x PCIe Gen4 x4, 1 x PCIe Gen4 x8)
- » 2 x PuIM network module (Site A: 1* PCIe x8 or 2* PCIe x4, Site B: 2* PCIe x4 or 4* PCIe x2)
- » 1 x RJ-45 Console, 2 x USB 3.0
- » 2 x 2.5" SATA HDD/SSD bay support SATA 3.0 (6 Gbps)
- » 1 x M.2 M key 2260/2280 support PCIe Gen3 x4 or SATA 3.0 (6 Gb/s)
- » 1 x mini PCIe with SIM card slot (PCIe Gen3 x1)
- » 300W AC Redundant PSU

Specifications

Form Factor	
Form Factor	1U
System	
CPU	Intel® Xeon® E Processor (Codename: Rocket Lake)
Chipset	Intel® C256
Memory	DDR4 3200MHz ECC/Non-ECC UDIMM
Memory Max.	Up to 128G
Cooling method / System Fan	3 x Cooling Fans with Smart Fan
	1 x System Fan
Physical Characteristics	
Rack Height	1U
Dimensions (LxWxH) (mm)	430 x 426 x 44.2
Net Weight	10 kg
Storage	
Storage	2 x 2.5" SSD/HDD Bay : support SATA 3.0 (6 Gbps)
I/O Interface	
Display Output	1 x HDMI : 2.0a (Internal connector)
Ethernet	8 x LAN : 2.5 GbE RJ45 (Intel® I225V-AT); two pairs bypass; Port 1 support WOL
I/O Interface	1 x Console port(s) : RJ45
	4 x USB 3.0 : 2 x USB 3.0 on the front panel + 2 x USB 2.0 by pin header
Expansion	1 x PCIe x8 : Standard PCIe Gen 4 x8 (FHHL)
	1 x PCIe x4 : Standard PCIe Gen 4 x4 (FHHL)
	1 x PCIe mini Card Slot : with SIM card slot (PCIe Gen3 x1)
	1 x M.2(NGFF) : M key 2260/2280 support PCIe Gen4 x2 or SATA 6Gb/s
Power	
Power Supply	300W AC Redundant PSU
Environment	
Operating Temperature	0°C ~ 40°C (32°F ~ 104°F)
Storage Temperature	-10°C ~ 50°C

Humidity	5% ~ 90% non-condensing
Certifications	
Safety & EMC	RoHS, CE/FCC
OS Support	
OS Support	Linux (CentOS, Ubuntu, etc.)

Ordering Information

PUZZLE-5030-XE2/R-R10	1U Rackmount Network Appliance support Intel® Gen8 Xeon® E-2378, 4 DDR4 slots, 8 x 2.5GbE , 2 PuIM slots , 2 PCIe expansion, Redundant Power, RoHS
PUZZLE-5030-XE/R-R10	1U Rackmount Network Appliance support Intel® Gen8 Xeon® E-2378G, 4 DDR4 slots, 8 x 2.5GbE , 2 PuIM slots , 2 PCIe expansion, Redundant Power, RoHS
PUZZLE-5030-R10	1U Rackmount Network Appliance (without CPU and Heatsink) support Intel® Xeon® E Processor (Codename: Rocket Lake), Intel® C256 chipset, LGA1200, 4 DDR4 slots, 8 x 2.5GbE, 2 PuIM slots, 2 PCIe expansion, Redundant Power, RoHS

Packing List

2 x Power cord	2 x Rack mounting ears
6 x Screw for rack mounting ears	USB to console cable : Option
RS232 to console cable : Option	Slide rail : Option
HDMI cable : Option	Heatsink: Option

Re-imagine Enterprise Network with SD-WAN and Network Edge

Numerous challenges and rapid changes in enterprise networking have been forcing businesses to acclimate by building a more robust network in order to adapt the cloud-centric business environment. As business needs flexibility, consistency of operations, and agility to enable instant insights, the deployment of SD-WAN and implementation of edge cloud computing are crucial assets for enterprise-grade network nowadays. The adoption of SD-WAN is becoming increasingly popular for cloud-first enterprises since it can vastly simplify the management and operation of corporate network across locations. On the other hand, for businesses and industries that need to run data-intensive workloads, implementing edge servers to process data where users need them is a more effective approach for accelerating decision makings.



PUZZLE-5030 – Agile uCPE device with robust reliability and performance

The PUZZLE-5030 is a 1U rackmount network appliance that combines powerful Intel® Xeon® E Processor (Codename: Rocket Lake) with LAN-bypass function, a fault-tolerance feature for reliable data transmission, as well as redundant power supply to ensure the overall system stability. It's not only tailor-made for SD-WAN deployments, running enterprise applications and services on cloud-enabled network, but also a great choice as purpose-built edge server.

*Trusted Performance**Enhanced Reliability**Business-driven Agility*

Affordable and performance-enhanced hardware option for cloud-based applications

The PUZZLE-5030 is powered by Intel® Xeon®E processor, which is an excellent hardware option for critical server solutions and cloud services by virtue of its business-ready reliability. Intel® Xeon® E processors also provide an advanced security technology, Intel® SGX, offering memory encryption that isolates important sensitive data in memory, in order to protect against active threats on the cloud. Moreover, its built-in hardware virtualization, Intel® Virtualization Technology (Intel® VT), reduces virtualization performance overheads and provides faster performance by consolidating multiple environments into a single server or workstation.



Superior reliability in data-intensive business environments

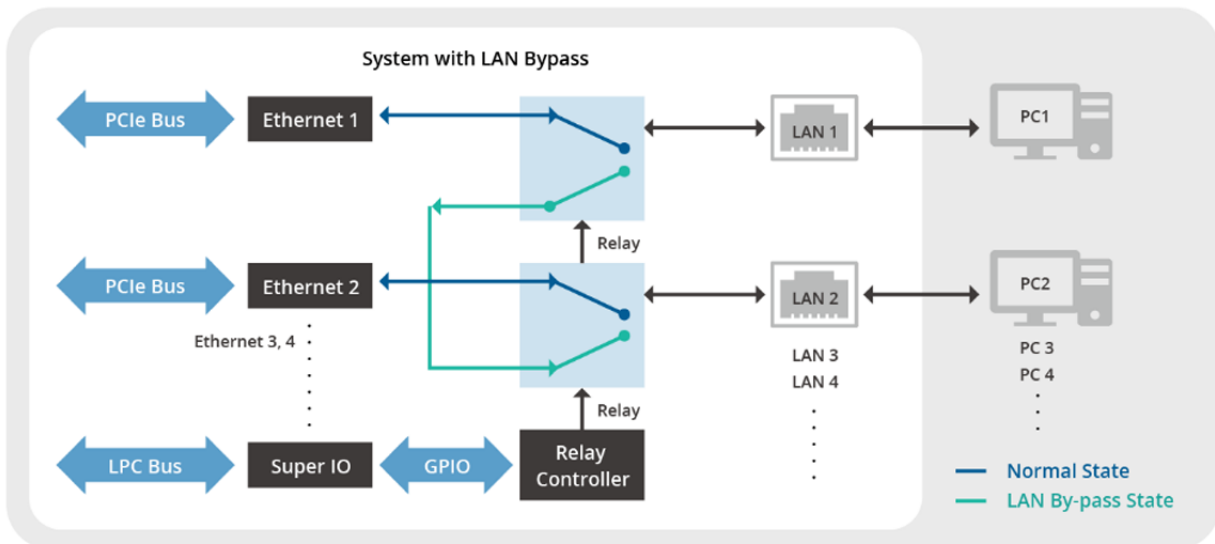
LAN bypass function

As enterprise applications and server solutions require 24/7 year-round resilience and constant operation, reliability plays a key role in business-driven network. The PUZZLE-5030 comes with two pairs LAN bypass that ensures fail-safe and uninterrupted network connection.

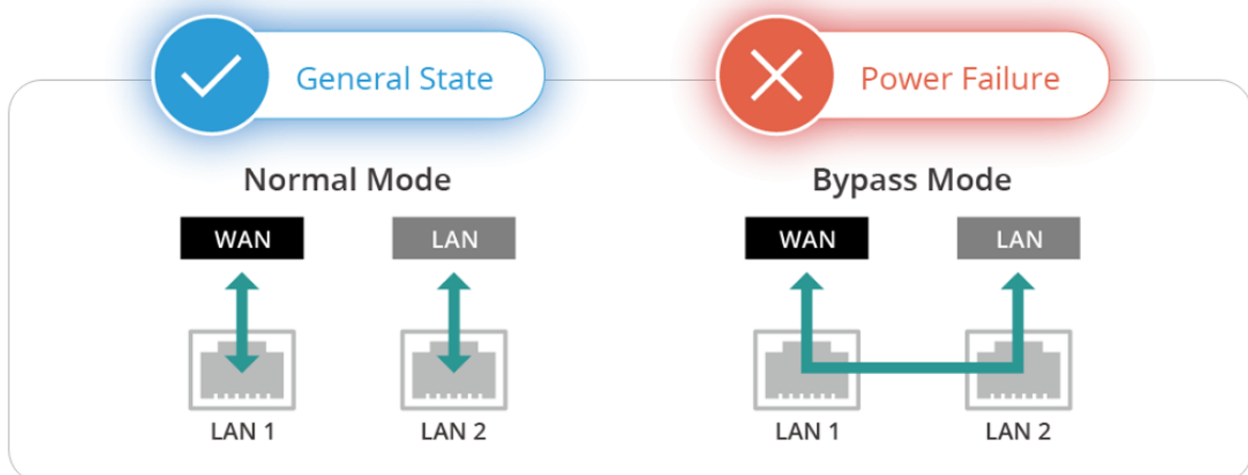


Bypass Function Block Diagram

1 GbE, 2.5 GbE and 10 GbE LAN ports with one pair bypass function

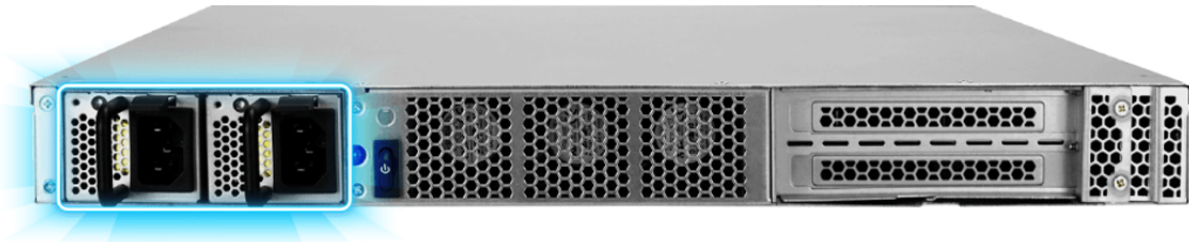


Bypass function enabled allows two LAN ports to be linked together to shunt network traffic, hence important traffic flow where contains critical business data can continue without interruption when one of these LAN ports fails due to power outage or system failure.



Dual 300W redundant power supply

The redundant power supply is also built-in to prevent unexpected system downtime caused by power outage, which allows one power supply to compensate by providing full power when the other one goes down.

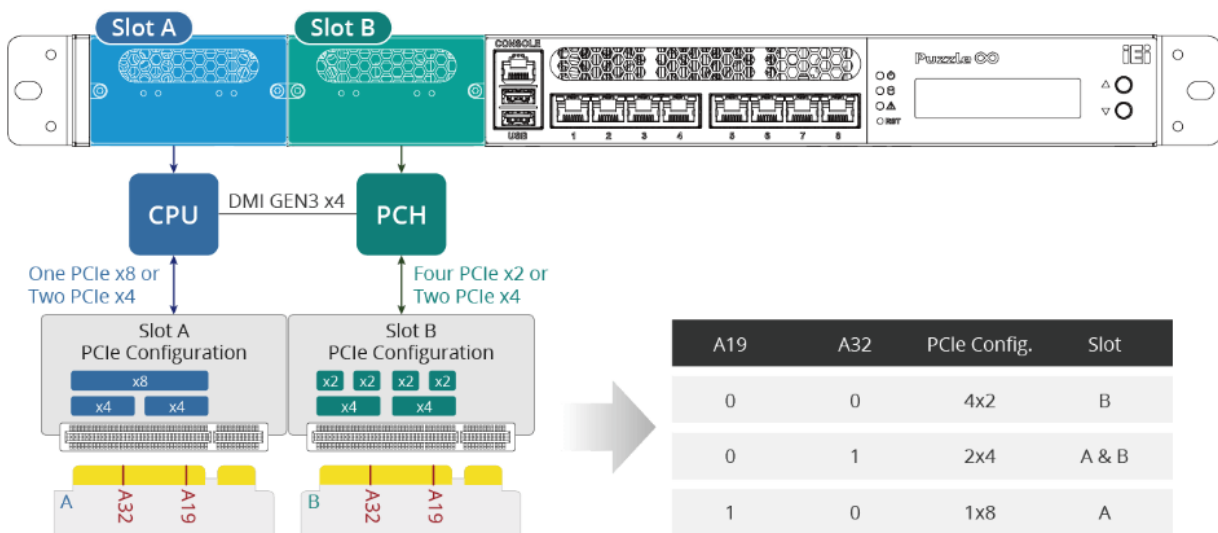


Great scalability with selectable PuLM Network Card solutions

The PUZZLE-5030 is equipped with eight 2.5GbE LAN ports, what is more, two PuLM network cards can be added up, providing larger bandwidth of up to 40 GbE, additional storage expansion and WiFi connectivity. Its vast scalable capabilities enable faster data transmission, and optimize network bandwidth and performance.



The Slot A supports eight lanes from CPU (one PCIe x8 or two PCIe x4); the Slot B supports two PCIe x4 or four PCIe x2 from PCH.

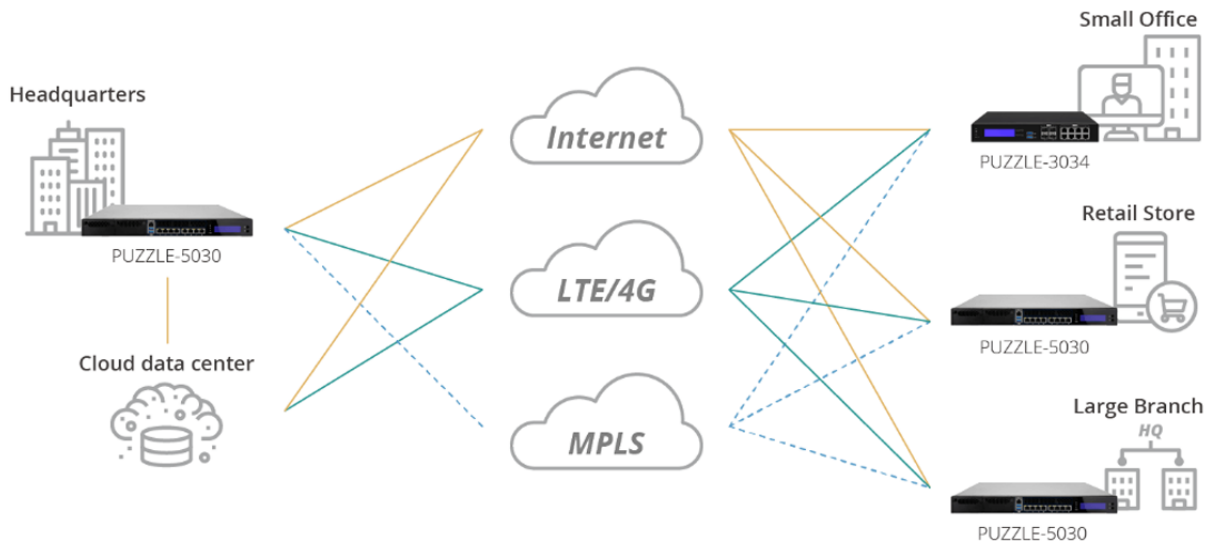


Multipurpose white box to streamline enterprise network from core to edge

Delivering trusted performance for applications that need to process intensive digital workloads, the PUZZLE-5030 can be leveraged in large range of enterprise-grade network functions.

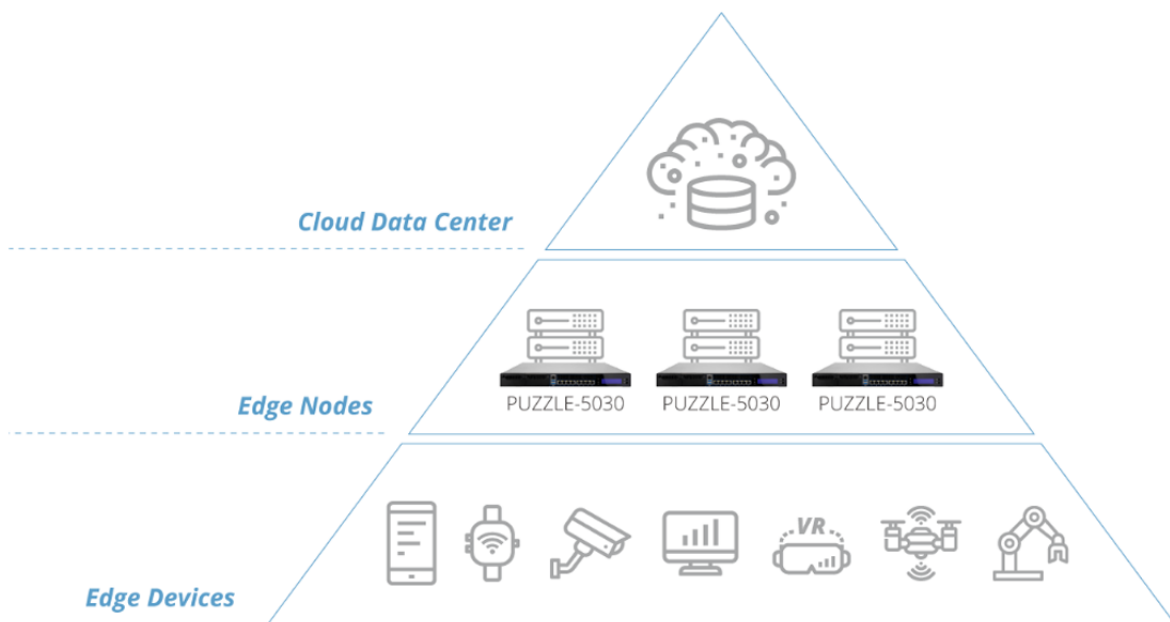
SD-WAN Solution

SD-WAN features centralized control over multiple network endpoints including branch offices, servers, home offices, remote workers, retail locations, IoT devices, and more, which can enable quick setup and configuration, create flexibility and cost control. Given its capabilities of performing both network and security functions, as well as running multiple VNFs (virtual network functions) into a single platform, the PUZZLE-5030 is an ideal uCPE device to deploy business-driven SD-WAN, offering high-bandwidth connectivity across different locations, great agility and little effort to establish new branches for organizations.



Purpose-Built Edge Server

Businesses that embrace edge cloud strategy with edge network deployments place data near end devices to generate real-time insights, which also represents less cost of bandwidth for mass data transmission, better customer experience and improved productivity. The PUZZLE-5030 can act as an edge server, being an intermediary between localized systems and centralized data centers, as a consequence, crucial enterprise data can be collected, processed and managed at the edge.



Hardware I/O

